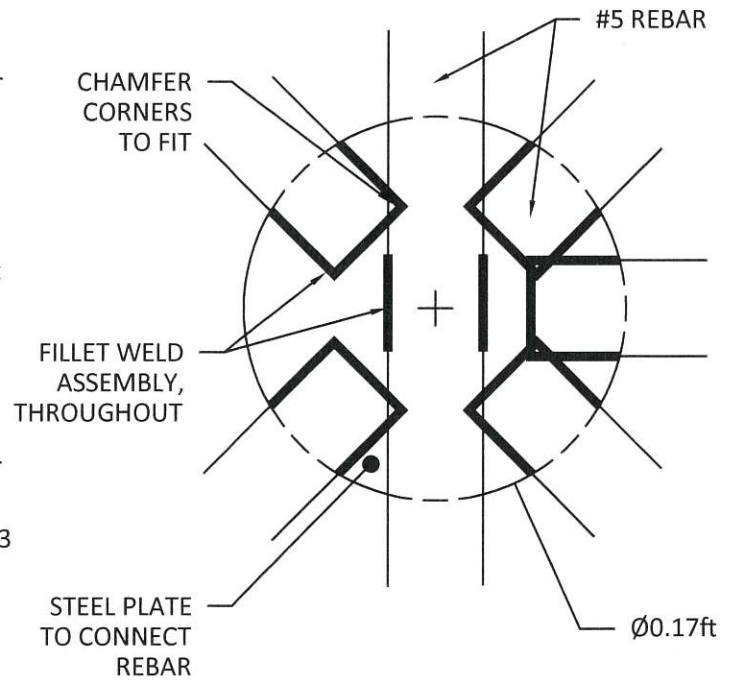
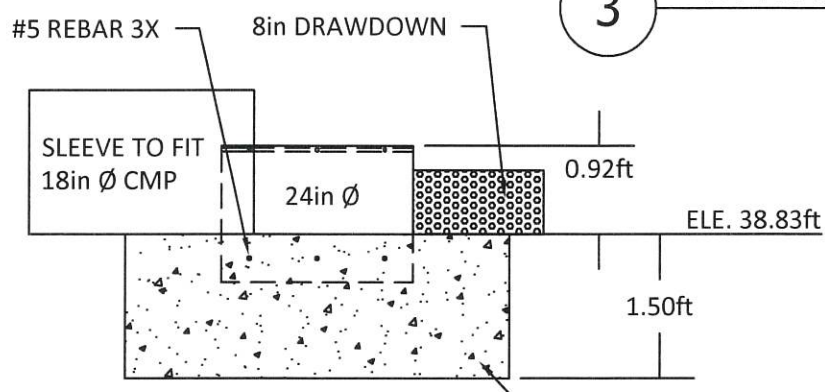


1 PLAN
Scale: NTS



3 DETAIL - REBAR CONNECTION
Scale: NTS



2 ELEVATION
Scale: NTS

NOTE:
THIS DRAWING IS A REVISION TO SITE PLANS V21300-B AND REPLACES "DETAIL 15 - RISER BASE DETAIL" AND THE "ANTI-VORTEX DEVICE" DETAIL, FOUND ON SHEET 4 OF 5.

REVISIONS:	

GEY
GEORGE E. YOUNG, III, P.C.
 ENGINEERS & SURVEYORS
 1504 MARKET STREET
 POCOMOKE MARYLAND 21851
 PHONE: (410)-957-2149
 FAX: (410)-957-2928

DRAWN BY:	CED
DATE DRAWN:	3/27/2023
DESIGNED BY:	GEY
CHECKED BY:	CED
CADD DWG:	V21300-B Addendum
DATE PLOTTED:	3/27/2023

PROJECT NUMBER
V21300-B
REVISION
SHEET
1 OF 1